

DESCRIPTION

- ADEX EPS-GD insulation is made of expanded polystyrene resin with a flame-spread retardant additive. The product consists of 98% air and 2% plastic material. Introduced vapour expands the resin beads creating a product made up of closed cells that is later thermally sealed, conditioned and cut to desired size.
- ADEX EPS-GD insulation meets **CAN/ULC-S-701** standards (formerly CGSB-51.20) - Thermal Insulation, Polystyrene Boards, and Pipe Coverings.
- Its design is protected by US patent D679,273 S and Canadian patent 132777.

USE

- ADEX EPS-GD insulation acts as a thermal insulation for exterior walls, as a support for ADEX exterior finish and insulation systems (EIFS) and as a base material for decorative moulding production.

DIMENSIONS

- 610 mm x 1220 mm (24" x 48") boards (maximum).
- Available thickness is between 50 mm and 125 mm (2" and 5").

Thermal Resistance (Minimum)		
ASTM C-518		
Temperature		
-3,9 °C (25 °F)	10 °C (50 °F)	24 °C (75 °F)
R factor/in		
4,17	4,00	3,85
RSI factor/25 mm		
0,73	0,70	0,68
Water Vapour Permeance (Maximum)		
ASTM E96:		
300 ng/Pa·s·m ² (5,3 perms) / 25 mm (1")		
Compressive Strength (Minimum)		
ASTM D-1621:		
70 kPa (10 PSI)		

Flexural Strength (Minimum)

ASTM C-203

170 kPa (25 PSI)

Dimensional Stability (Maximum)

ASTM D-2126:

0,5%

Water Absorption (Maximum)

ASTM D-2842

6% (Volume %)

■ Properties

■ Test Method

■ Result

STORAGE

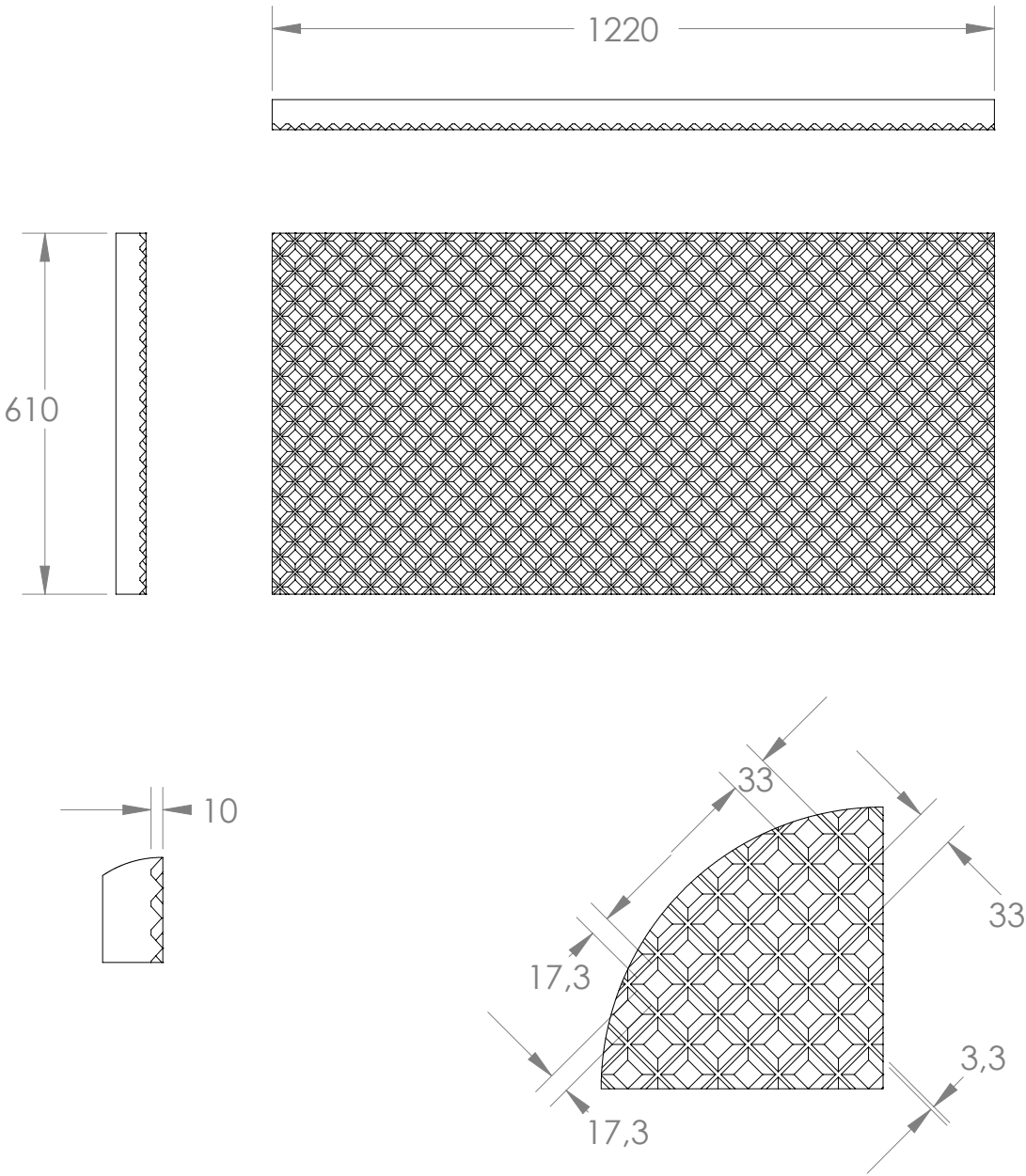
- Store in original packaging.
- Do not allow the EPS boards to be exposed to the sun for extended periods of time.

ADVANTAGES

- ADEX EPS-GD insulation is lightweight, easy to handle and easy to install.
- ADEX EPS-GD insulation is mold-resistant and has no nutritional value for parasites, micro-organisms and animals.
- ADEX EPS-GD insulation does not contain any chlorofluorocarbons (CFC's, HCFC's).
- ADEX EPS-GD insulation provides a high, constant R-value.

LIMITATIONS

- EPS is combustible when directly exposed to intense heat or sources of combustion.
- For interior applications, EPS-GD insulation must be covered with a 1/2" gypsum board.
- ADEX EPS-GD insulation must be purchased from ADEX Systems or its authorised distributors in order to be covered by warranty.



In millimeters

This document contains current information on the product. It is only provided as a guide and is subject to modifications at any time without notice. ADEX Systems Inc. reserves the right to make any modification according to technological progress. Specialised designers, architects, engineers or other professionals that choose to make any use of this information bear the complete responsibility, whatever it be, direct or indirect, that could follow from such use. ADEX Systems Inc. does not bear any responsibility that could give way to damages, defaults, defects, deficiencies, prejudices, loss or decrease of profit, be they direct or indirect, resulting from such use of this information by specialised designers, architects, engineers or other professionals. Please refer to www.adex.ca for the latest version of this document.

May 2010