

## Window Sill (Aluminium Window)

ADEX STARTER MESH EMBEDDED IN BASECOAT  
AROUND ALL EDGES ONTO THE BACKSIDE OF  
THE INSULATION (BACKWRAPPING)

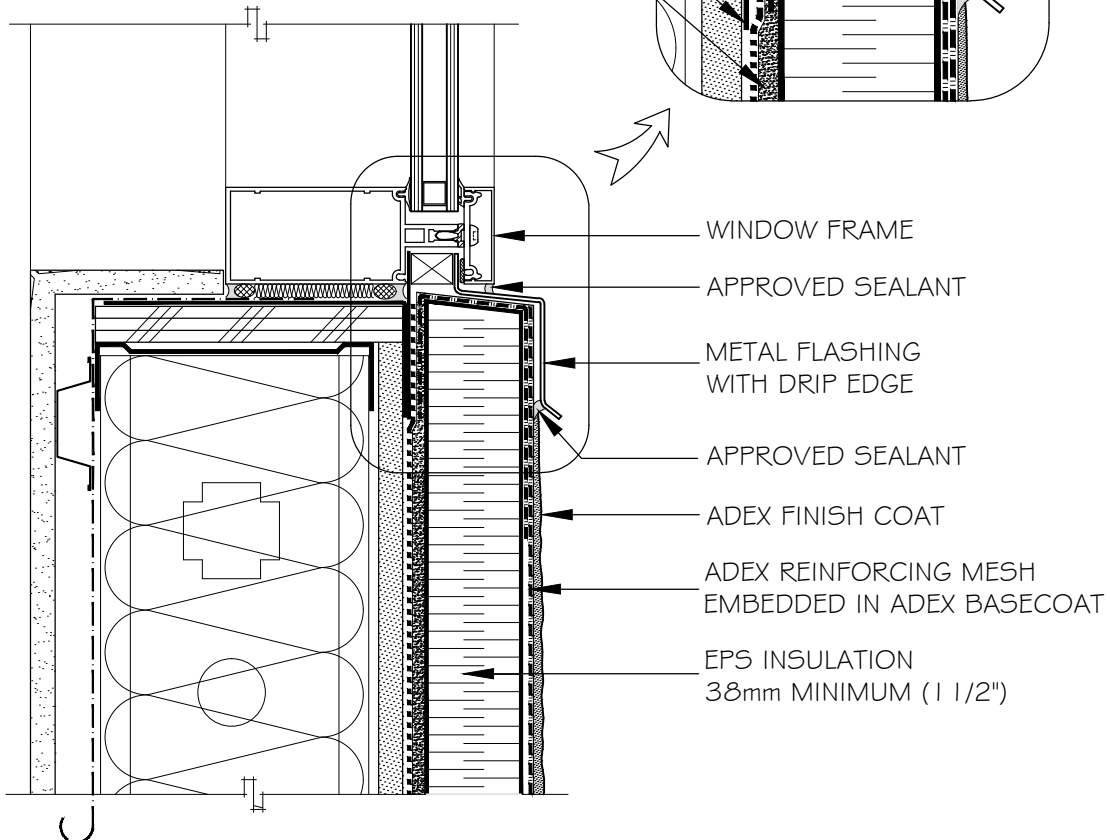
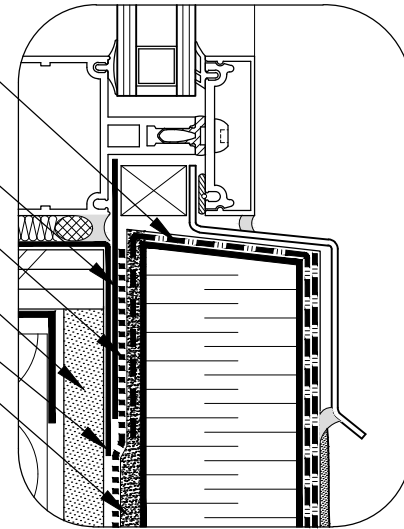
EIFS TAPE TO BE  
SEALED TO THE FRAME

HYDROFLEX WRB (Weather  
Resistant Barrier) MEMBRANE

APPROVED SUBSTRATE

EIFS TAPE

ADEX ADHESIVE



WINDOW FRAME

APPROVED SEALANT

METAL FLASHING  
WITH DRIP EDGE

APPROVED SEALANT

ADEX FINISH COAT

ADEX REINFORCING MESH  
EMBEDDED IN ADEX BASECOAT

EPS INSULATION  
38mm MINIMUM (1 1/2")

DRAWINGS ARE NOT TO SCALE

This document contains the applicable recommendations for the installation of the adex-VCA system. They are provided for the indicative purposes and are subject to changes without notice. Adex Systems Inc. reserves the right to make any eventual changes in keeping with technological advances. The professional (specialised designer, architect, engineer or any other professional) that decides to use this information, in any way, assumes full responsibility, whether direct or indirect, of the outcomes of this usage. Adex Systems Inc. will not assume or incur any responsibility that could have led to damages, defects, faultiness, deficiencies, prejudices, losses or decrease in profit, that they be direct or indirect, resulting from the Professional's use of the product. The use of this product by an unqualified person is strongly advised against.